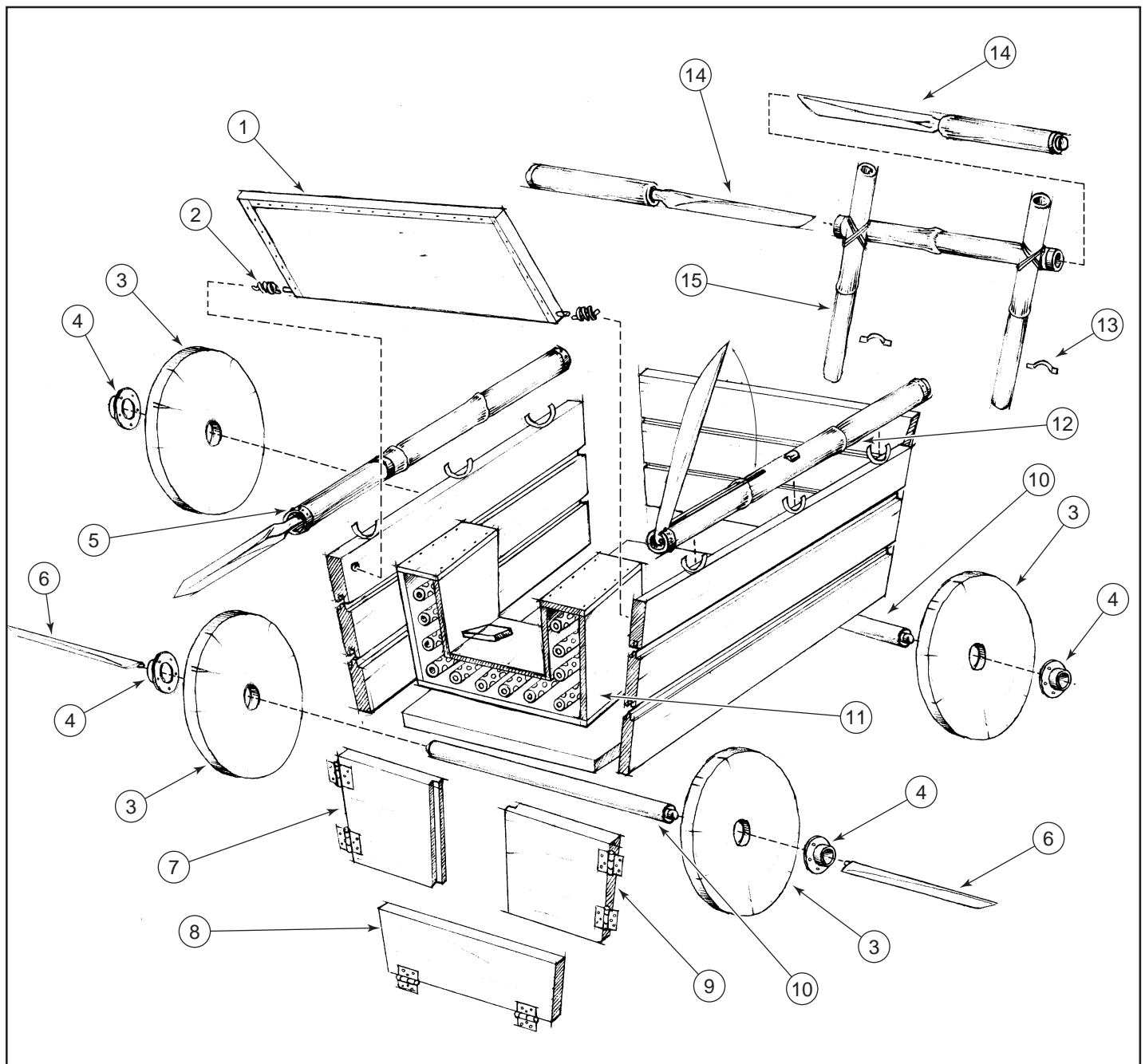


Figure 1. Baby Cart, exploded view



- | | | | |
|----|--|---------------------|------------------------------|
| 1. | Spring-loaded blast shield | 10. | Axle |
| 2. | Blast shield spring | 11. | Machine gun unit |
| 3. | Wheel | 12. | Single-edged swing-arm blade |
| 4. | Axle nut | 13. | Bracket |
| 5. | Double-edged retracting blade | 14. | Concealed short sword |
| 6. | Front wheel, single-edged retracting blade | 15. | Handle assembly |
| 7. | Right front gun door | Optional equipment: | |
| 8. | Bottom gun door | Sled skis | |
| 9. | Left front gun door | Rain/sun shield | |